

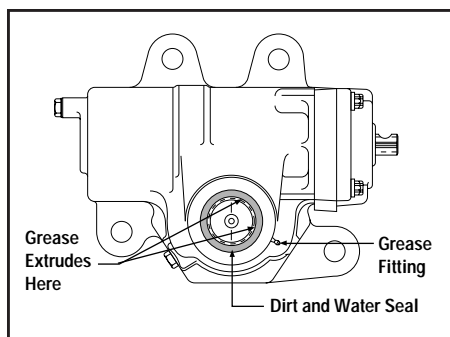
TRW Automotive Commercial Steering Systems

Service Bulletin #TAS-103

Lubrication of TAS Gears

Revised February, 1993
Electronic Version April, 1998

This TRW Commercial Steering Division service bulletin has been written to help you repair commercial vehicles more efficiently. This bulletin should not replace your manuals; you should use them together. These materials are intended for use by properly trained, professional mechanics, NOT "Do-it-yourselfers". You should not try to diagnose or repair steering problems unless you have been trained, and have the right equipment, tools and know-how to perform the work correctly and safely.



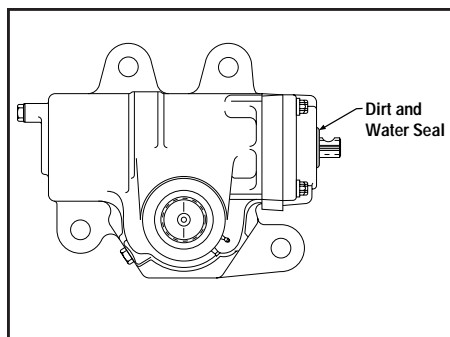
Lubricate trunnion bearing

At chassis lube intervals or once per month

1. Locate the grease fitting on the trunnion side of the steering gear near the output shaft. Use a hand-type grease gun to force grease (**NLGI grade 2 or 3 multipurpose EP chassis lube**) through the fitting until you can see it past the external dirt and water seal.

CAUTION

Do not use an automatic or power grease gun on this fitting. The high rate of flow from such devices could force grease inside the high pressure seal. This could contaminate the hydraulic system and also promote seal leakage.



Maintain input shaft dirt & water seal grease pack

Twice per year

2. Clean old grease from the dirt & water seal near the input shaft, and the cavity behind the seal with a lint-free cloth. Repack the area using clean, high temperature industrial grease (Mobil Temp* 1 or 2 or equivalent). Reseat the dirt & water seal in its groove behind the serrations and against the valve housing.

*Mobil Temp is a registered trademark of Mobil Oil Corp.